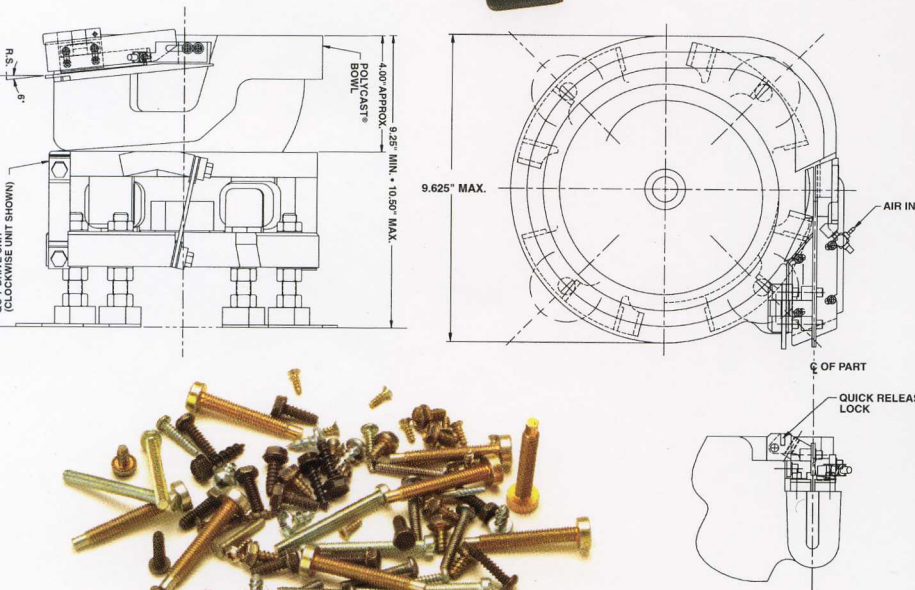


A vibratory feeder that's fast, durable, flexible & affordable.



Made from a special blend of polymers these patented Polycast® bowls are designed to perform the same rigorous tasks as conventional vibratory feeders but last longer than stainless steel and cost a fraction of custom-crafted bowls. Each Polycast® feeder is designed for your flexible needs. A five minute adjustment will allow you to change the type of fastener being fed. Another advantage of Polycast® is turnaround time. Polycast® systems can be shipped within days, not weeks, of any order.

**Call Today
for more information
on the patented
Polycast® System!**